



AYUS DEVICES CUT SHEET

Ayus Water Activation Devices/Fittings are manufactured to the following specifications:

- ✓ The fitting body is made of 316 Stainless Steel
- ✓ The insert is made of Brass
- ✓ Threads are **NPT** (National Pipe Thread Standard)
- ✓ Flanges are **ANSI** Class #150 ASME B16.5



AYUS COMMERCIAL DEVICES

COMMERCIAL WATER DEVICES	MAX. PRESSURE RATING*1	FITTING WEIGHT	CATALOG NUMBER
Ayus 1/2" female to 1/2" male NPT	150 psi /10 bar /1,035 kPa	.5 lbs / 198 g	A050NPT
Ayus 3/4" female to 3/4" male NPT	150 psi /10 bar /1,035 kPa	.8 lbs / 359 g	A075NPT
Ayus 1" female to 1" male NPT	150 psi /10 bar /1,035 kPa	1.4 lbs / 632 g	A100NPT
Ayus 1 1/2" female to 1 1/2" male NPT	150 psi /10 bar /1,035 kPa	3.7 lbs / 1700 g	A150NPT
Ayus 2" female to 2" male NPT	150 psi /10 bar /1,035 kPa	9 lbs / 408 g	A200NPT
Ayus 2 1/2" female to 2 1/2" male NPT	150 psi /10 bar /1,035 kPa	10.5 lbs / 4.8 kg	A250NPT

AYUS INDUSTRIAL DEVICES

INDUSTRIAL WATER DEVICES	MAX. PRESSURE RATING*1	FITTING WEIGHT	CATALOG NUMBER
Ayus 3" ANSI 150 Flange	Class #150 ASME B16.5	30 lbs / 13.4 kg	A300AF
Ayus 4" ANSI 150 Flange	Class #150 ASME B16.5	52 lbs / 23.4 kg	A400AF
Ayus 6" ANSI 150 Flange	Class #150 ASME B16.5	83 lbs / 37.6 kg	A600AF
Ayus 8" ANSI 150 Flange	Class #150 ASME B16.5	170 lbs / 77.3 kg	A800AF
Ayus 10" ANSI 150 Flange	Class #150 ASME B16.5	290 lbs / 131 kg	A1000AF

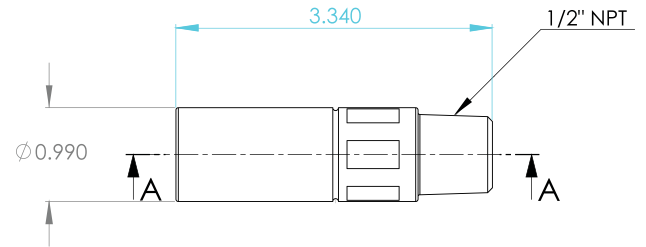
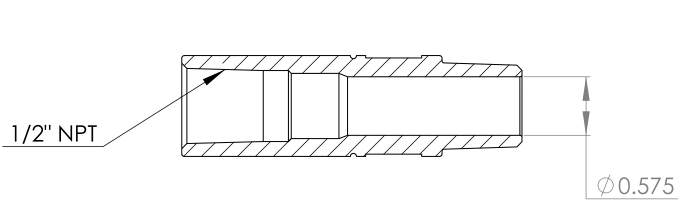
AYUS COMMERCIAL DEVICES



A050NPT - 1/2"

.5" NPT BODY

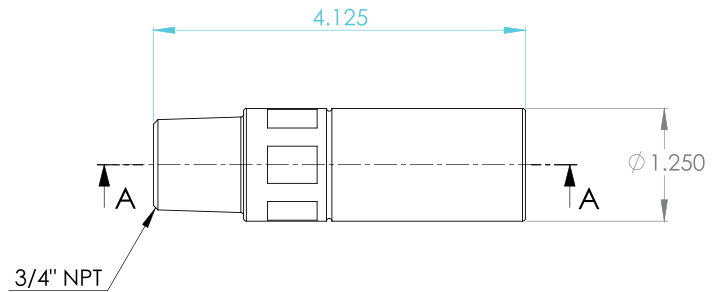
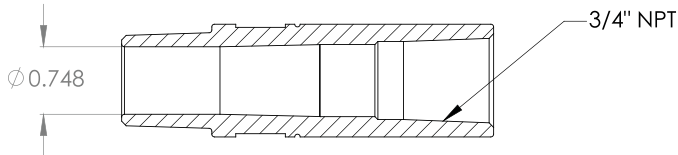
DRAWING NOT TO SCALE



A075NPT - 3/4"

.75" NPT BODY

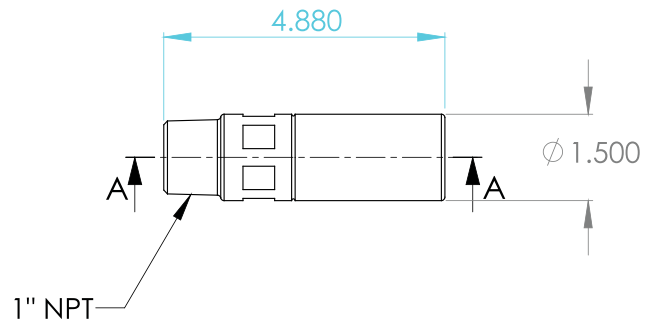
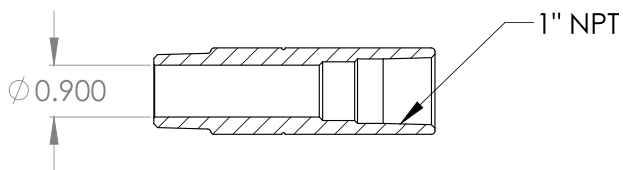
DRAWING NOT TO SCALE



A100NPT - 1"

1" NPT BODY

DRAWING NOT TO SCALE



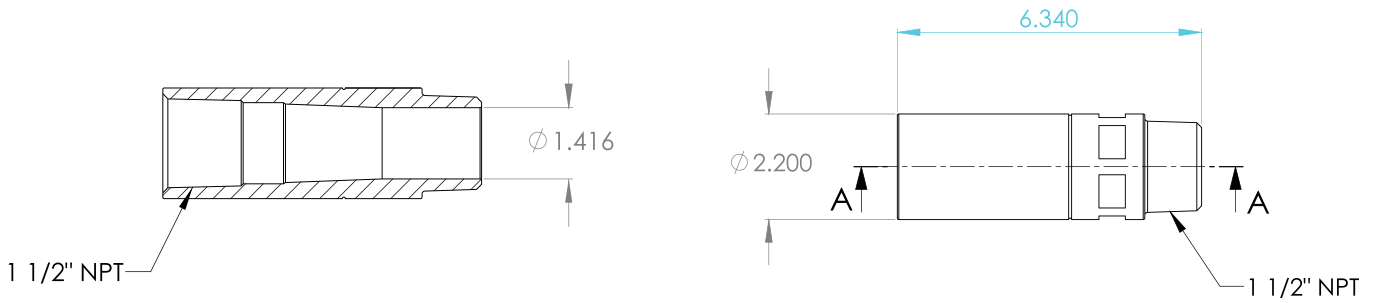
AYUS COMMERCIAL DEVICES



A150NPT - 1 1/2"

1.5" NPT BODY

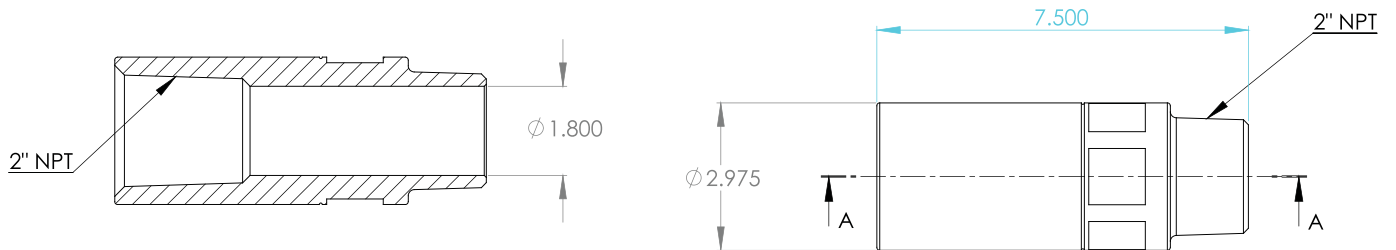
DRAWING NOT TO SCALE



A200NPT - 2"

2" NPT BODY

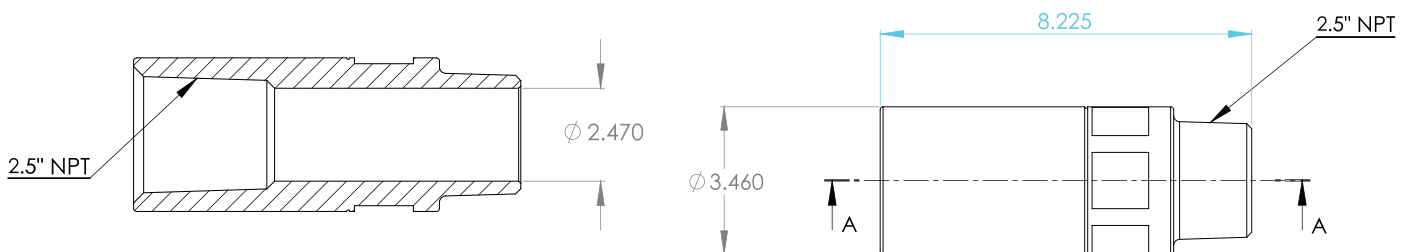
DRAWING NOT TO SCALE



A250NPT - 2 1/2"

2.5" NPT BODY

DRAWING NOT TO SCALE



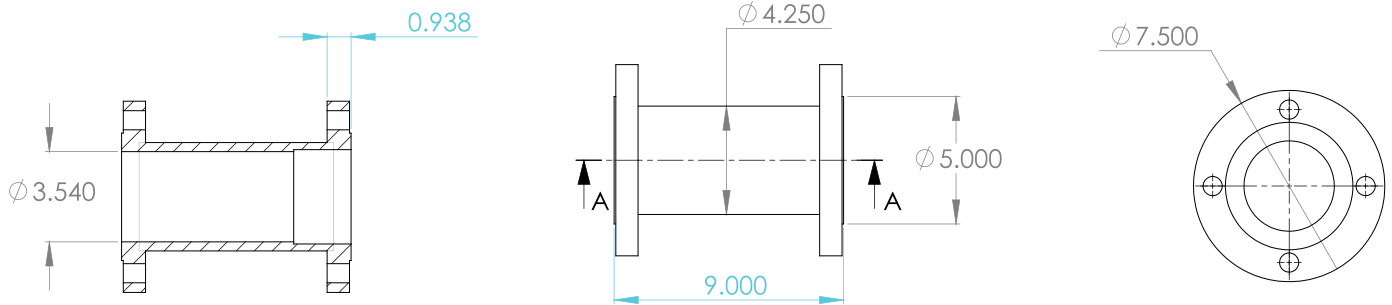
AYUS INDUSTRIAL DEVICES



A300AF - 3"

3" AF BODY

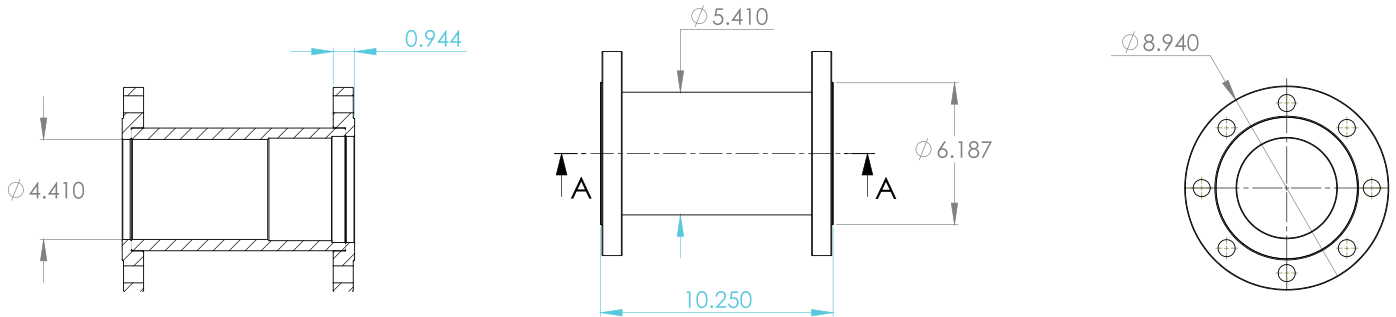
DRAWING NOT TO SCALE



A400AF - 4"

4" AF BODY

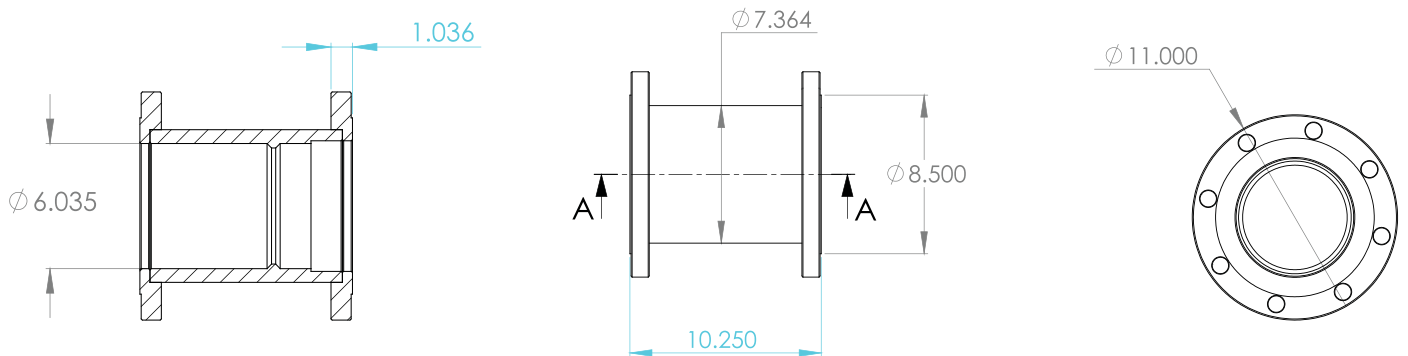
DRAWING NOT TO SCALE



A600AF - 6"

6" AF BODY

DRAWING NOT TO SCALE



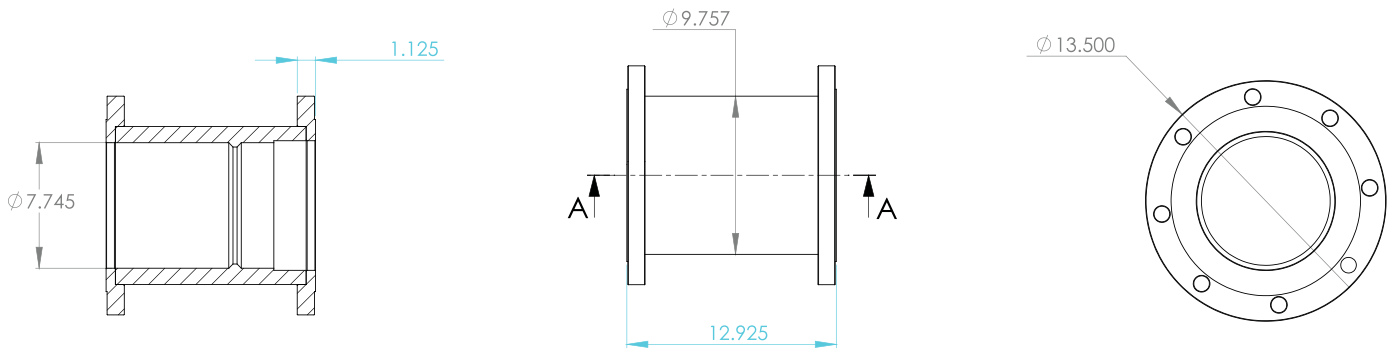
AYUS INDUSTRIAL DEVICES



A800AF - 8"

8" AF BODY

DRAWING NOT TO SCALE



LARGER SIZES

FOR LARGER SIZES PLEASE CONTACT AYUS

Give us a call **800-900-6045** or send an email to **info@ayuswater.com**

INSTALLATION GUIDE

We recommend that you enlist the expertise of a plumber, engineer or your maintenance staff.

Used to service a building

- ✓ For best results, the Ayus Water Activation Device should be the last device installed on the cold water line, as close as possible to the building's equipment.
- ✓ The device should be installed on the cold water main line after municipal water meters and backflow check valves (see attached diagram of a typical installation).
- ✓ If the building uses a filter system and/or water softener, the Ayus Water Activation Device should be installed past these systems.

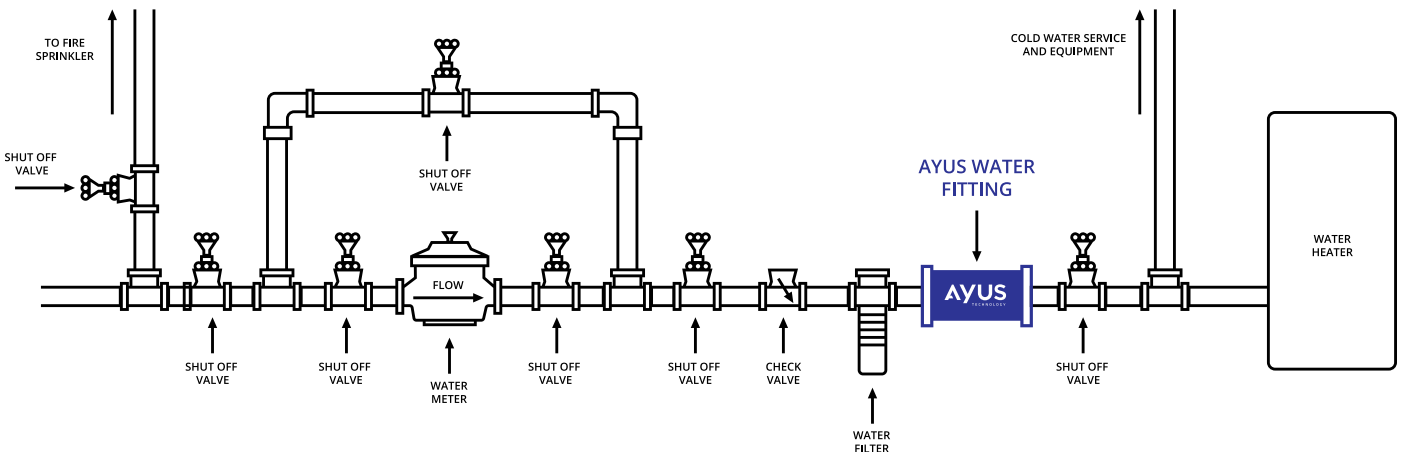
Used to service specific equipment

- ✓ The Ayus Water Activation Device should be installed as close as possible to the water intake.

Flow direction

To ensure that the Ayus Water Activation Device is installed with the water flow in the correct direction, please look for the arrow on device.

For best results, the Ayus Water Activation Device should be the last device installed on the cold water line, as close as possible to the building's equipment.



For further assistance or any questions, please call **800-900-6045** or send an email to info@ayuswater.com

CONTACT US

Have further questions or inquiries? Let us know how we can help and if we can provide you with more information. Give us a call **800-900-6045** or send an email to **info@ayuswater.com**

Satisfied Clients



PERFECT WATER
AYUSWATER.COM